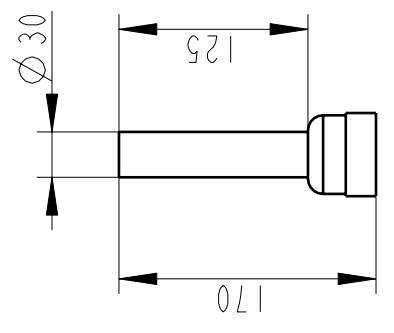
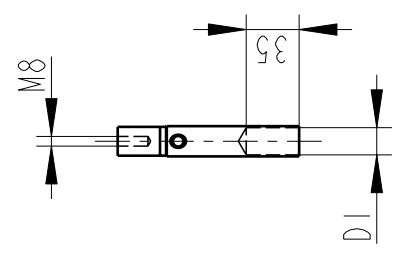


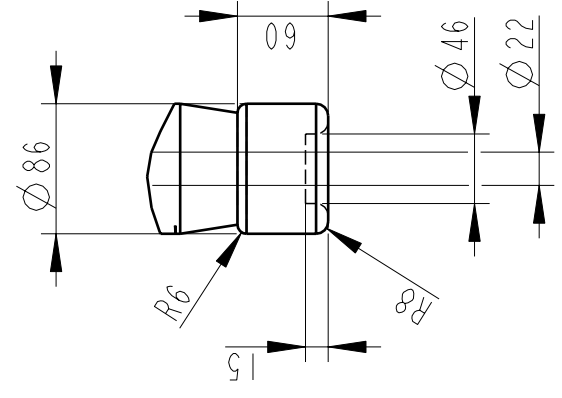
OUTER TERMINAL



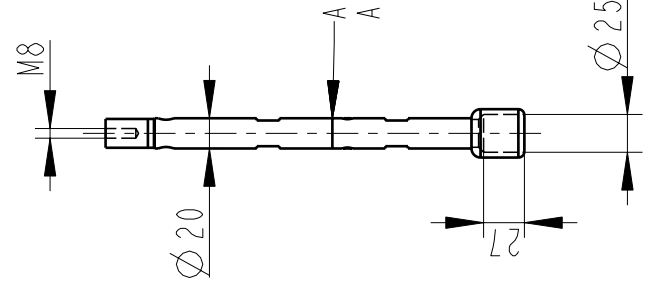
INNER TERMINAL FOR STRANDED CABLE



END SHIELD



SOLID ROD CONNECTOR



The solid rod can be divided either:
 Alt. 1: 20mm below the bushing flange or
 Alt. 2: 20mm below the upper end of the bottom porcelain

Bushing Data:

Rated Voltage	52 kV
Phase to Ground Voltage	52 kV
Dry Lightning Impulse 1,2/50µs	250 kV
Wet power frequency AC	105 kV
Routine test Imin dry 50Hz	120 kV
Rated Current	800 A
Creepage Distance	1500±50 mm
Creepage Distance Protected	580 mm
Mass	28 kg

Ordering Data:

BUSHING	COLOUR AIR INSULATOR
LF123175-K	BROWN
-L	LIGHT GREY
OUTER TERMINAL	
LF 170 002-A	Cu, Ø30, L=125
LF 170 001-A	Al, Ø30, L=125
OTHER TYPES ON REQUEST	
INNER TERMINAL FOR STRANDED CABLE	
For brazing	Conductor area
LF 170 011-S	up to 150mm ² Ø18
LF 170 011-U	Undrilled with pilot hole Ø5
For crimping or brazing	Conductor area
LF 170 010-M	50mm ² Ø11
LF 170 010-N	70mm ² Ø13
LF 170 010-L	95mm ² Ø15
SOLID ROD CONNECTOR	
LF 170 019 -BB for Alt.1	
LF 170 019 -BC for Alt.2	

ABB Components Luvia, Sweden	
No.	A 50/60 Hz kV
Urdu	kV
LI, SI, AC	mm V
M	kg L
C1	pF Tan δ
C2	pF Tan δ

Based on	Reg. No.
Prepared	Responsible department
LÖVNRD	COM/BK
Approved	Take over department
Johansson	Database
Design engineering review	
Hedlund	

Title	Language
GOB 250-800-0.5	82
WITH OIL LEVEL GAUGE	Page
SHORT END SHIELD	I(1)
Document No.	
2751369-173	

ABB ABB Components

We reserve all rights in this document and in the information contained therein. Reproduction, use or disclosure to third parties without express authority is strictly forbidden.
 ©ABB